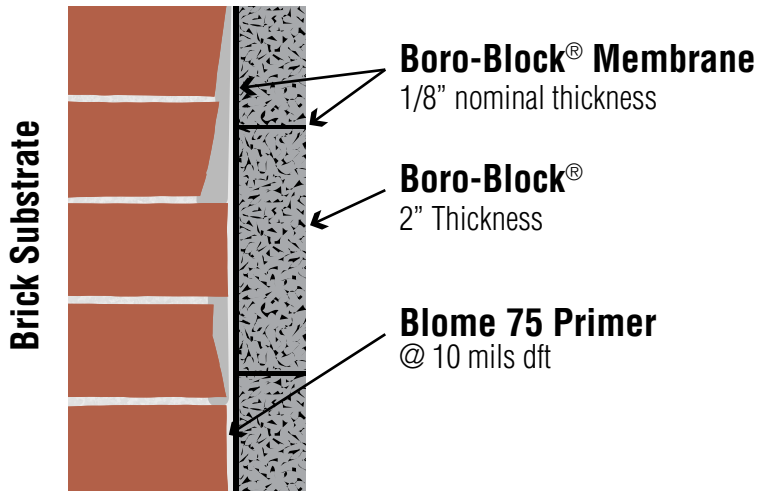
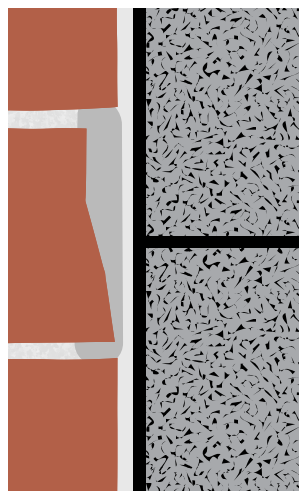


Cross Section



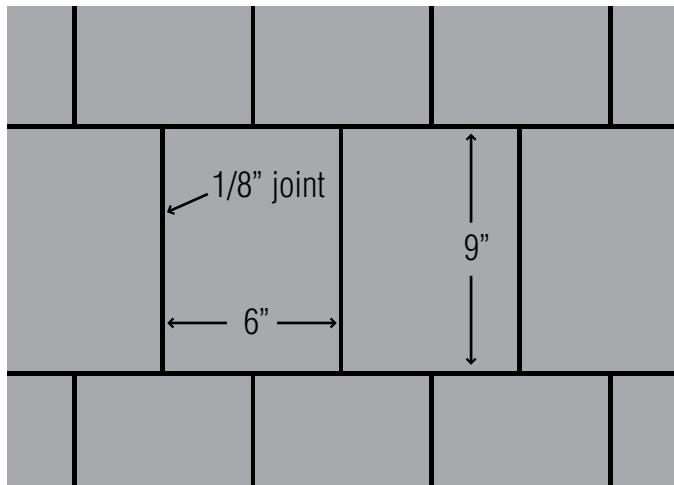
Boro-Block Membrane



Boro-Block[®] Membrane is a two component 100% solids (+/- 1%) urethane asphalt mastic that bonds the block together and to the substrate.

The Boro-Block[®] adhesive membrane remains elastomeric up to 450°F and performs well in aggressive flue gas environments.

Boro-Block Alignment



Work buttered block into membrane in a circular movement and strike joints flush.

All voids must be filled.