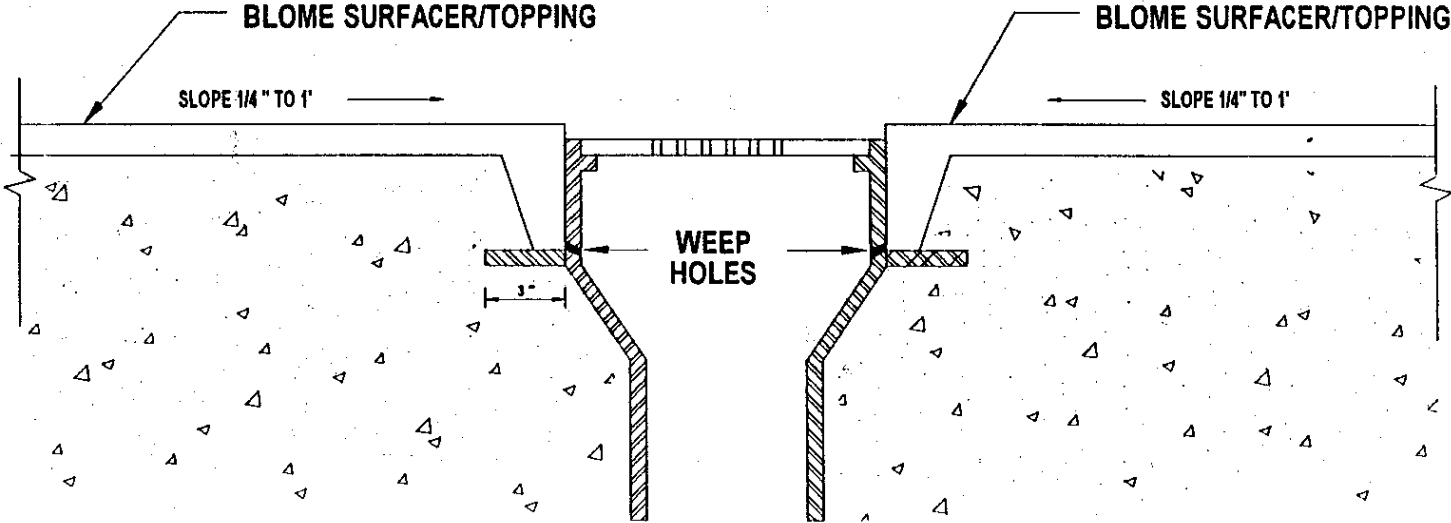


NOTE: EDGE OF TOPPING MUST BE MINIMUM 1/8" HIGHER THAN DRAIN



FLOOR DRAIN DETAIL FOR MONOLITHIC TOPPING

ECD-1005



1450 Hoff Industrial Drive
O'Fallon, MO 63366
636-379-9119 fax 636-379-0388
www.blome.com e-mail info@blome.com