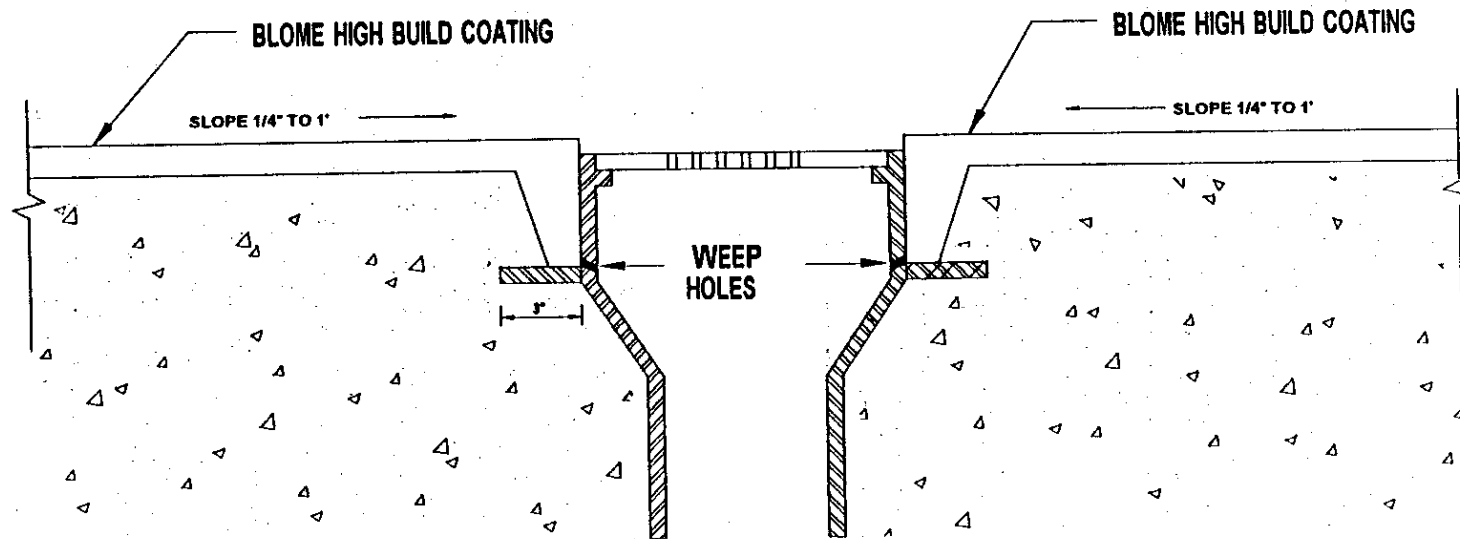


NOTE: EDGE OF FLOOR MUST BE MINIMUM 1/8" HIGHER THAN DRAIN.



FLOOR DRAIN DETAIL FOR HIGH BUILD COATING

ECD-1018